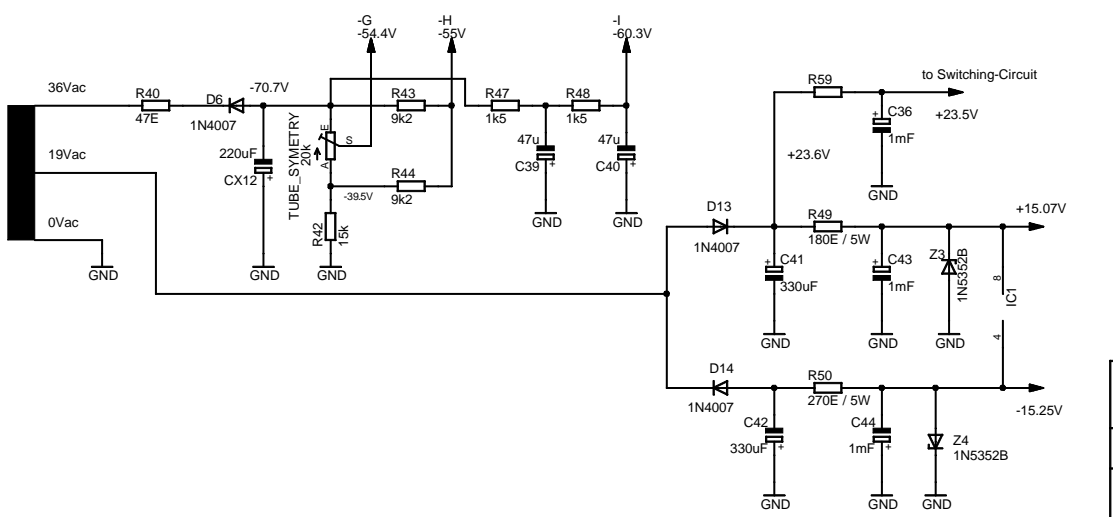
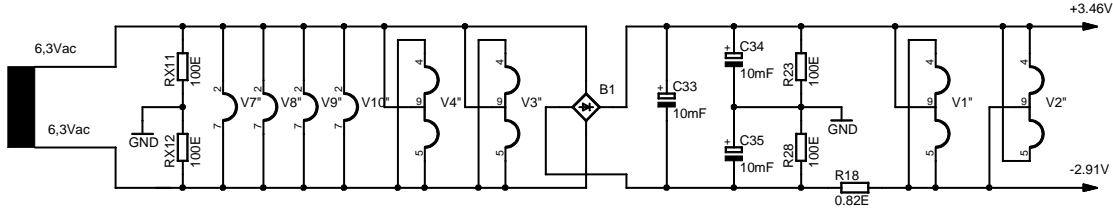
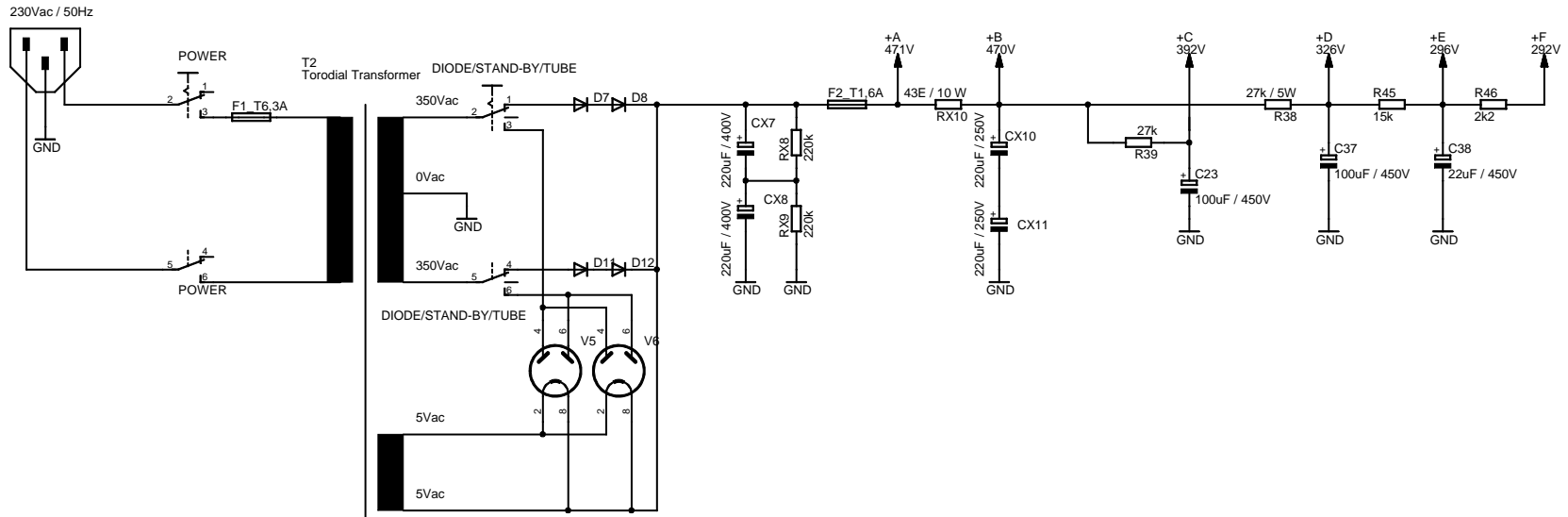


NOTES:
 - RY1 => Clean / Lead
 - RY2 => Master1 / Master2
 - the following circuits are not drawn:
 - LED's for tubes
 - Relay-Switching-circuit
 - Mute-Circuit for Lead-Channel

LABOGA Mr.Hector Preamp / FX-Loop	
TITLE: LABOGA_MrHector	
Document Number:	REV: 1.1
Date: 12.05.2009 09:22:40	Sheet: 1/3



LABOGA Mr.Hector Powersupply	
TITLE: LABOGA_MrHector	
Document Number:	REV: 1.1
Date: 12.05.2009 09:22:40	Sheet: 3/3