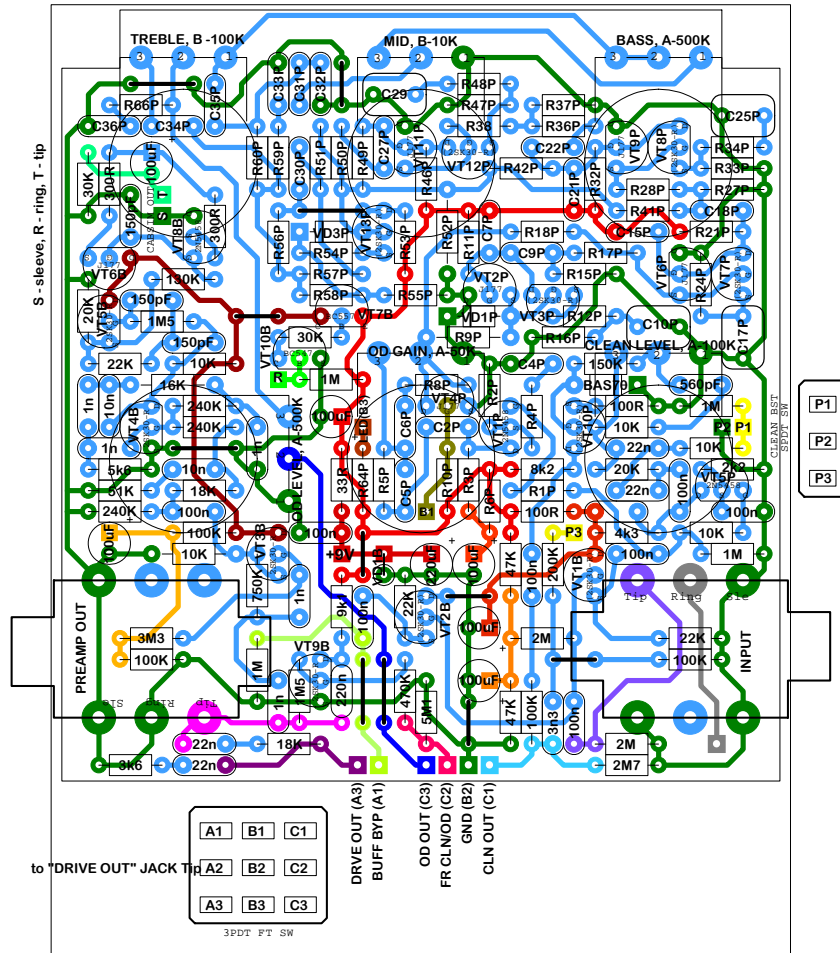
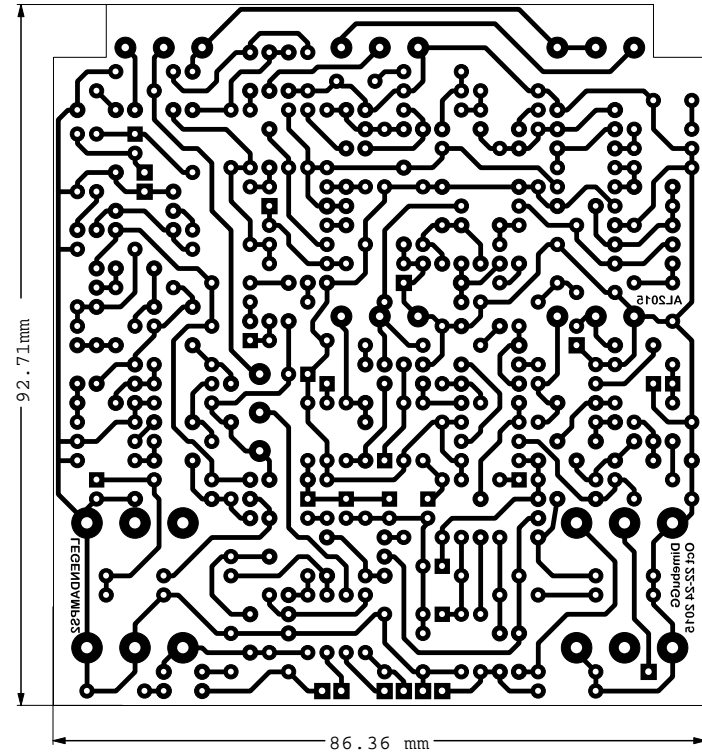


AMT Legend Amps 2

GENERIC LAYOUT:

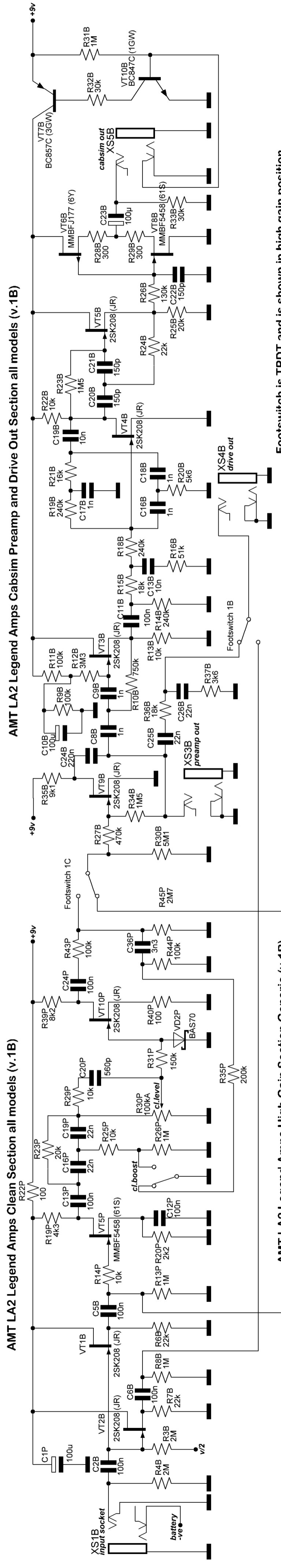


READY TO TRANSFER:

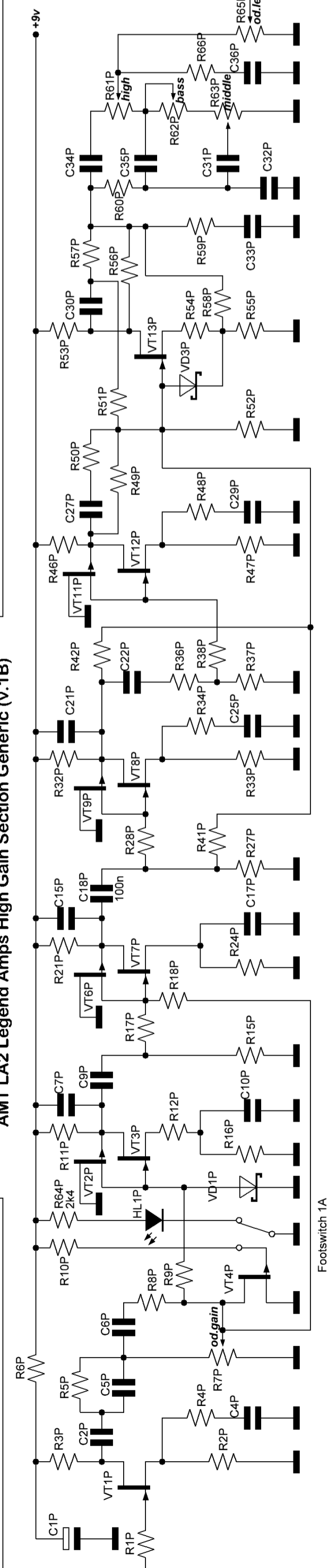


Artwork by DimebuGG © AL2015. All Rights Reserved.
For personal and non-commercial use only.

AMT Legend Amps 2 complete schematic (v.1B) rev 1.0

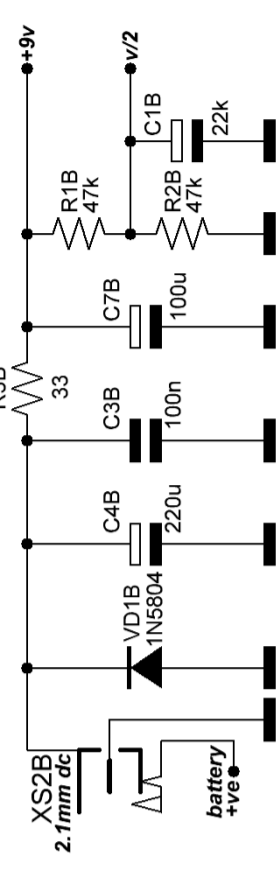


AMT LA2 Legend Amps High Gain Section Generic (v.1B)



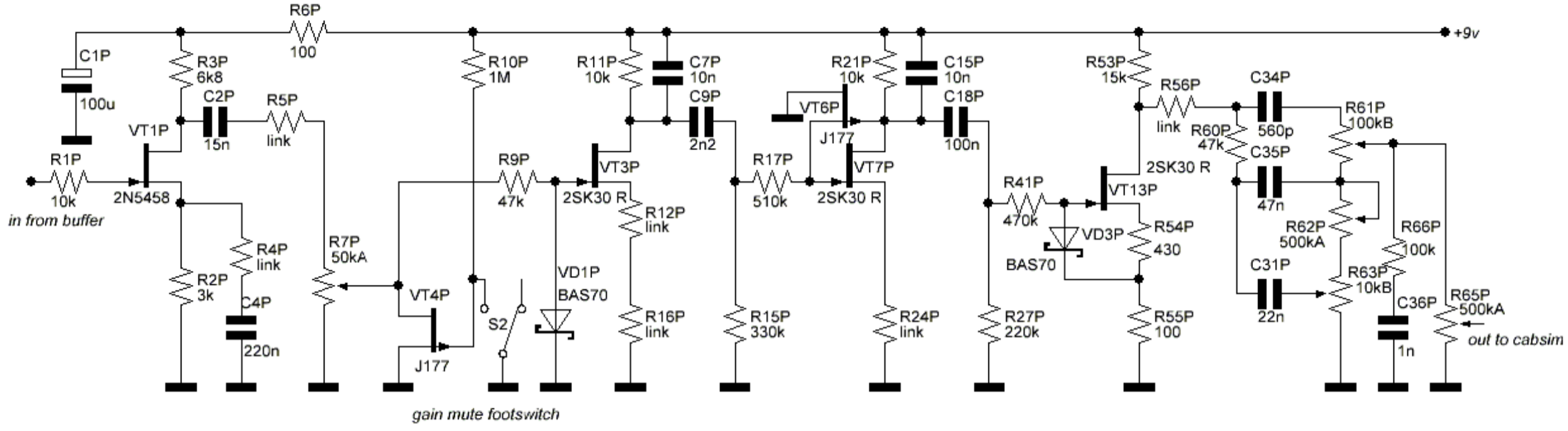
Footswitch is TPDT and is shown in high gain position
 Clean Boost is push button switch shown in boost position
 Not all components in the generic high gain section are used in any one model
 (see excel spreadsheet for relevant model values)

AMT LA2 Legend Amps Power Supply all models (v.1B)

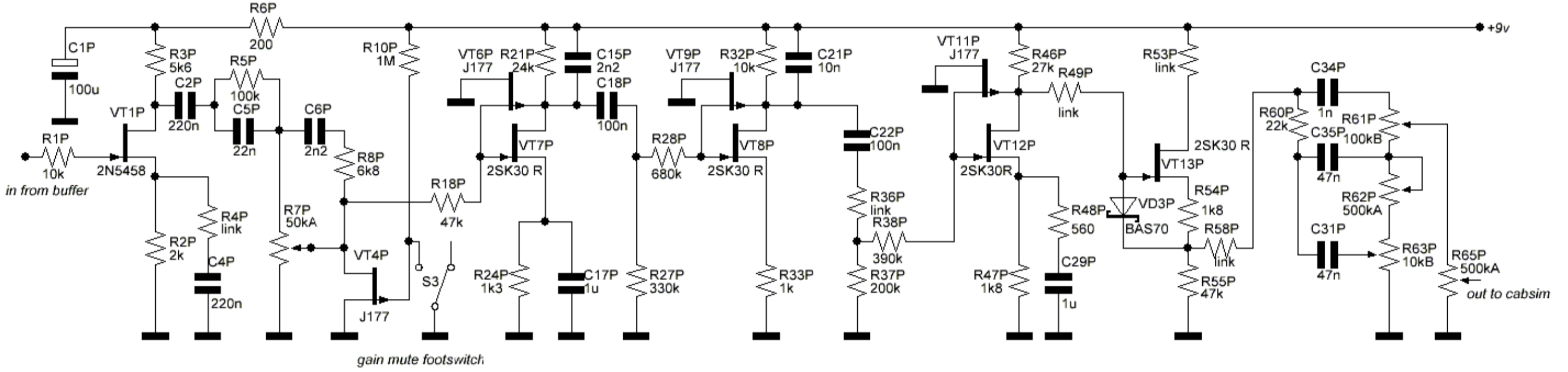


Schematic: (with permission from bajaman, www.freestompboxes.org).

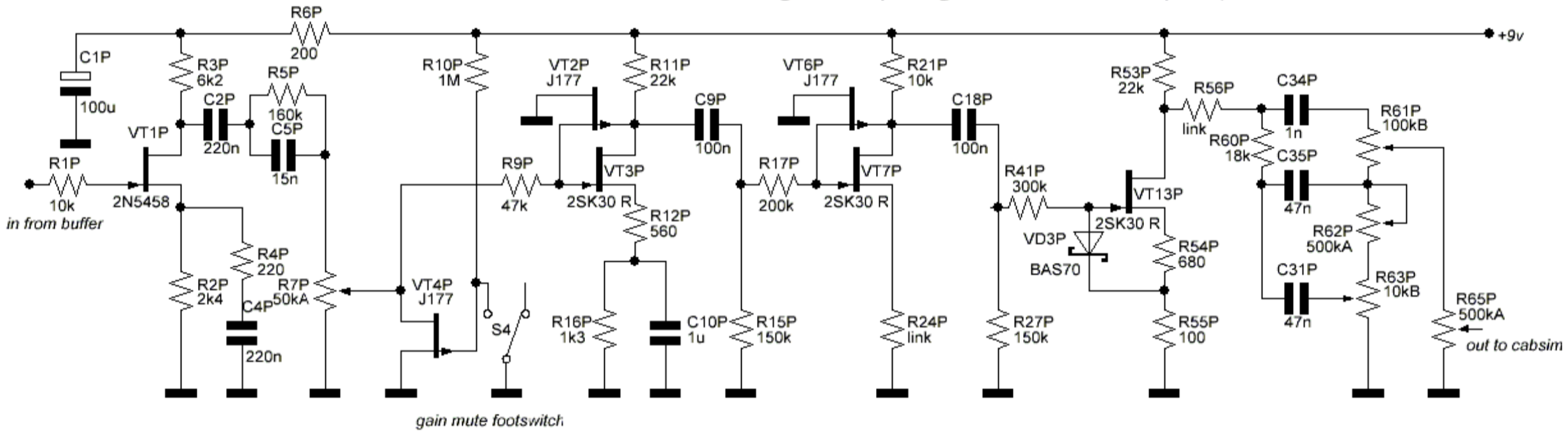
AMT LA2 Legend Amps High Gain Section E2 (v.1B)



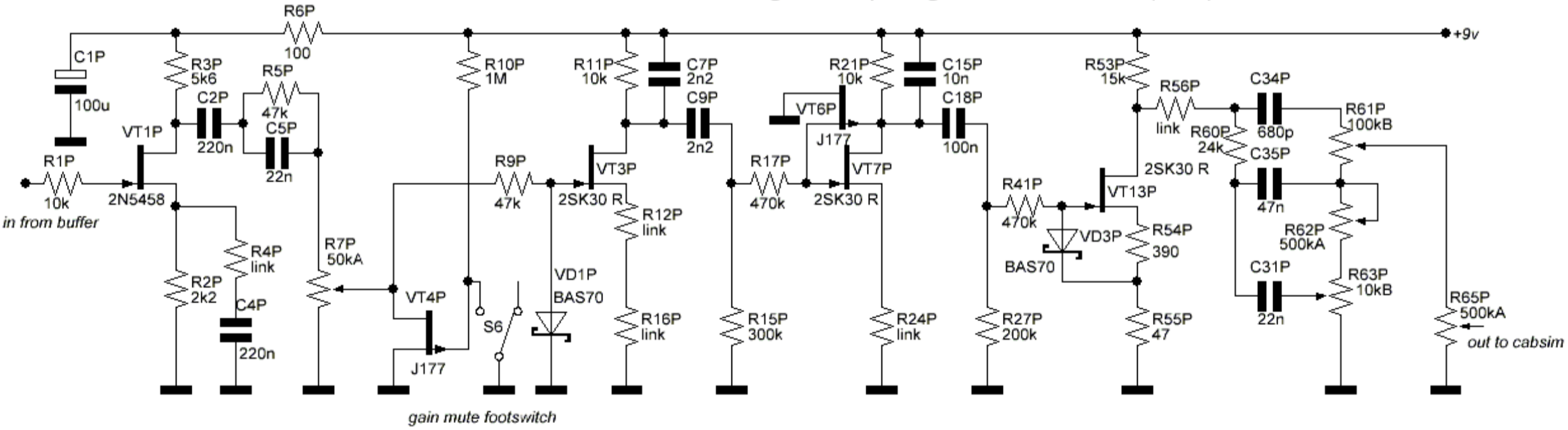
AMT LA2 Legend Amps High Gain Section S2 (v.1B)



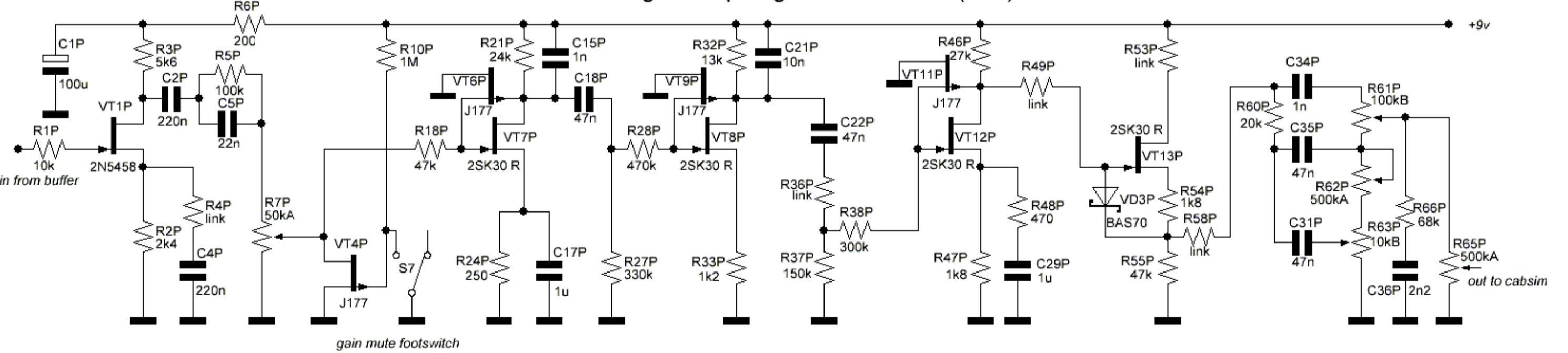
AMT LA2 Legend Amps High Gain Section K2 (v.1B)



AMT LA2 Legend Amps High Gain Section B2 (v.1B)



AMT LA2 Legend Amps High Gain Section D2 (v.1B)



Schematic: (with permission from bajaman, www.freestompboxes.org).