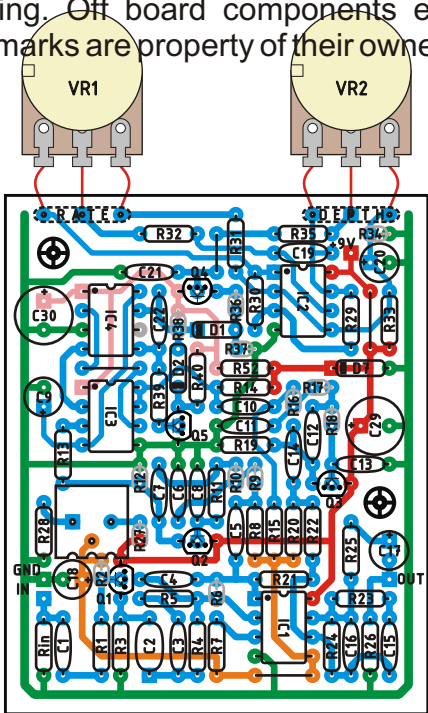


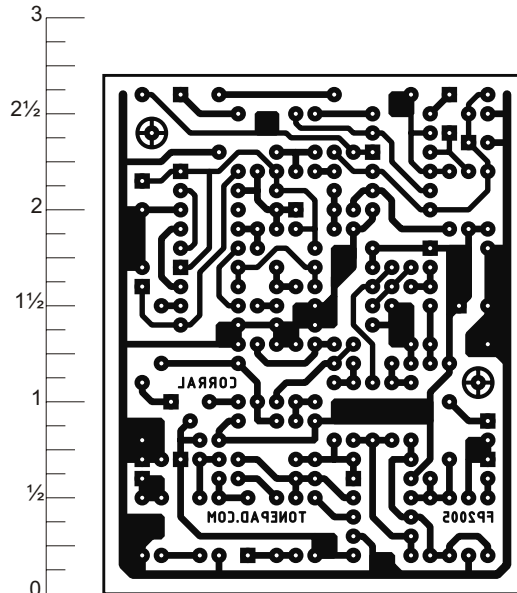
# CORRRAL CHORUS

Rev.1.Oct.12.2005

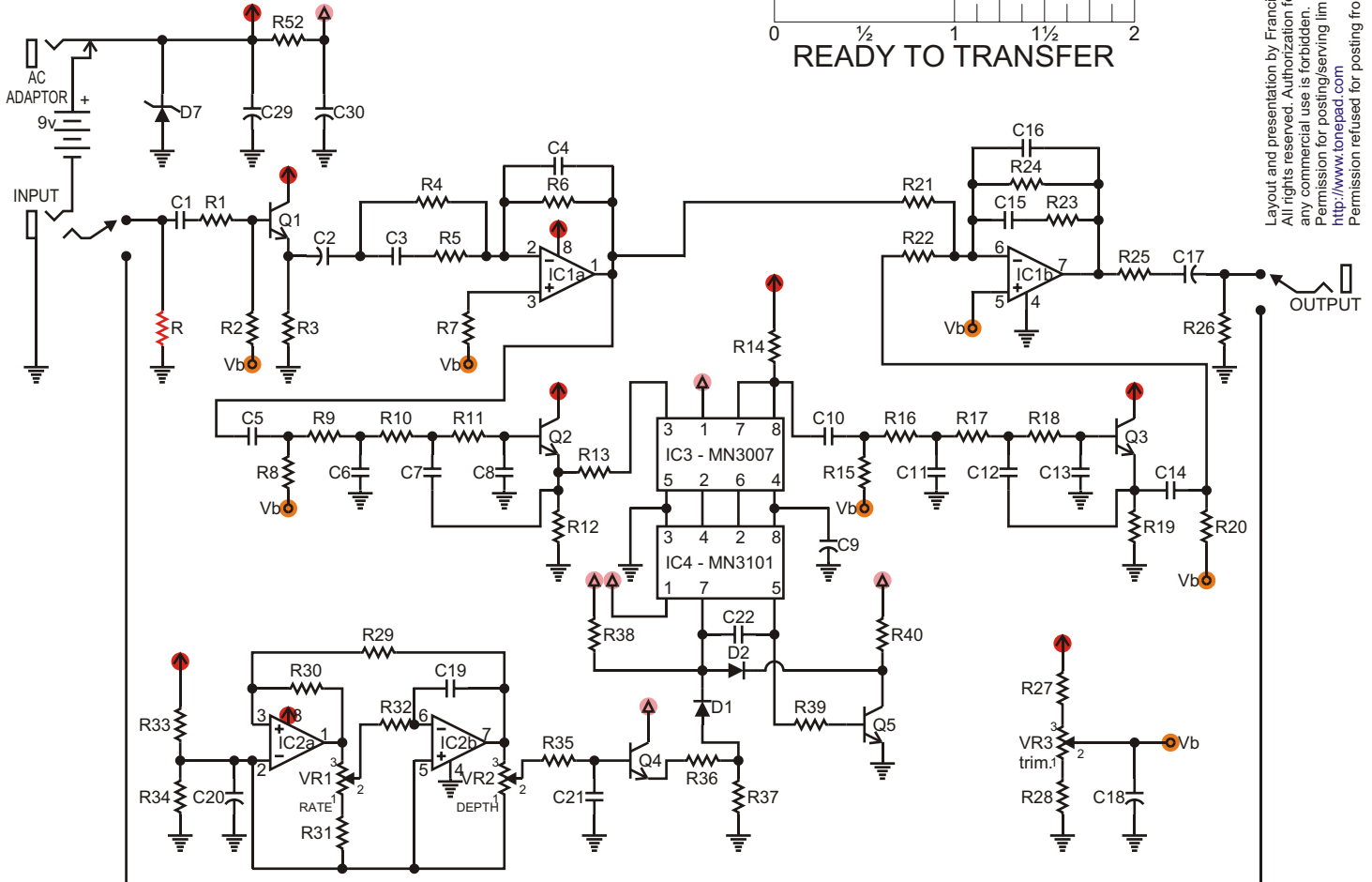
Build the Boss CE2 circuit on this layout. The FET switching has been removed to use true bypass switching. Off board components except for the potentiometers are not shown on the layout. Trademarks are property of their owners.



LAYOUT



READY TO TRANSFER



Layout and presentation by Francisco Peña 2001-2005©.  
All rights reserved. Authorization for personal use only.  
any commercial use is forbidden.  
Permission for posting/serving limited to  
<http://www.tonepad.com>  
Permission refused for posting from other sites.

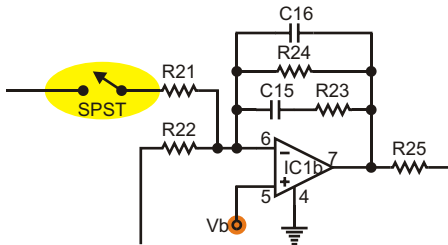
# CORRRAL CHORUS

Rev.1.Oct.12.2005

Parts list and some mods, these mods will require soldering to flying component leads and components directly soldered to switches. Off board components except for the potentiometers are not shown on the layout. Trademarks are property of their owners.

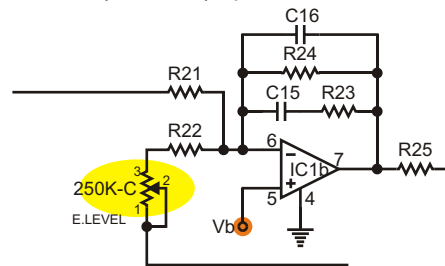
## THE VIBRATO MOD

Lift one side of R21 and add a SPST switch like this:



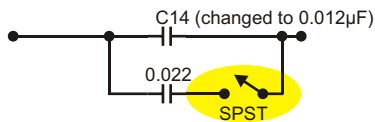
## EFFECT LEVEL MOD

Effect level can be made adjustable by adding a 250k rev. Log. potentiometer in series with R22, this mod along with the Wet Bass mod are needed to convert to CE2B (for bass) specs.:



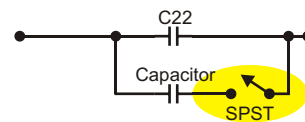
## WET BASS SWITCHING MOD

This mod modifies bass response on the modulated signal. This mod along with the Effect Level Mod are needed to convert the pedal to CE2B (for bass) specs. It also can be used on its own. Change C14 to 0.012µF, then add another another capacitor as shown:



## CHORUS INTENSITY CAP SWITCH MOD

This mod is for altering the value of the C22 in order to get a deeper chorus intensity. Use a SPST switch and a 47pF (or other value, experiment!) capacitor wired like this:



## Resistors

R1 - 1K  
R2 - 470K  
R3 - 10K  
R4 - 47K  
R5 - 10K  
R6 - 47K  
R7 - 10K  
R8 - 100K  
R9 - 10K  
R10 - 10K  
R11 - 10K  
R12 - 10K  
R13 - 4.7K  
R14 - 56K  
R15 - 330K  
R16 - 10K  
R17 - 10k  
R18 - 10K  
R19 - 10K  
R20 - 1Meg  
R21 - 47K  
R22 - 47K

R23 - 10k  
R24 - 47k  
R25 - 470 ohm  
R26 - 100k  
R27 - 4.7k  
R28 - 4.7k  
R29 - 33k  
R30 - 47k

## Transistors

Q1 - 2N5088  
Q2 - 2N5088  
Q3 - 2N5088  
Q4 - 2N5088  
Q5 - 2N5088

## Potentiometers

VR1 - 100k Lin.  
VR2 - 100k Lin.

## Parts List

R31 - 10k  
R32 - 1Meg  
R33 - 10k  
R34 - 10k  
R35 - 220K  
R36 - 4.7K  
R37 - 4.7K  
R38 - 150K  
R39 - 33K  
R40 - 2.7K  
R52 - 33 ohm

## ICs

IC1 - 4558  
IC2 - TL022  
IC3 - MN3007  
IC4 - MN3101

## Trim Pots

VR3 - 10k

## Capacitors

C1 - 0.047µF  
C2 - 0.47µF  
C3 - 0.0068µF  
C4 - 100pF  
C5 - 0.033µF  
C6 - 0.0033µF  
C7 - 0.0082µF  
C8 - 470pF  
C9 - 1µF  
C10 - 0.033µF  
C11 - 0.0033µF  
C12 - 0.0082µF  
C13 - 470pF  
C14 - 0.033µF  
C15 - 0.0068µF  
C16 - 100pF

C17 - 1µF  
C18 - 47µF  
C19 - 0.1µF  
C20 - 47µF  
C21 - 0.01µF  
C22 - 47pF  
C29 - 100µF  
C30 - 220µF

## Diodes

D1 - 1N914  
D2 - 1N914  
D7 - RD11EB