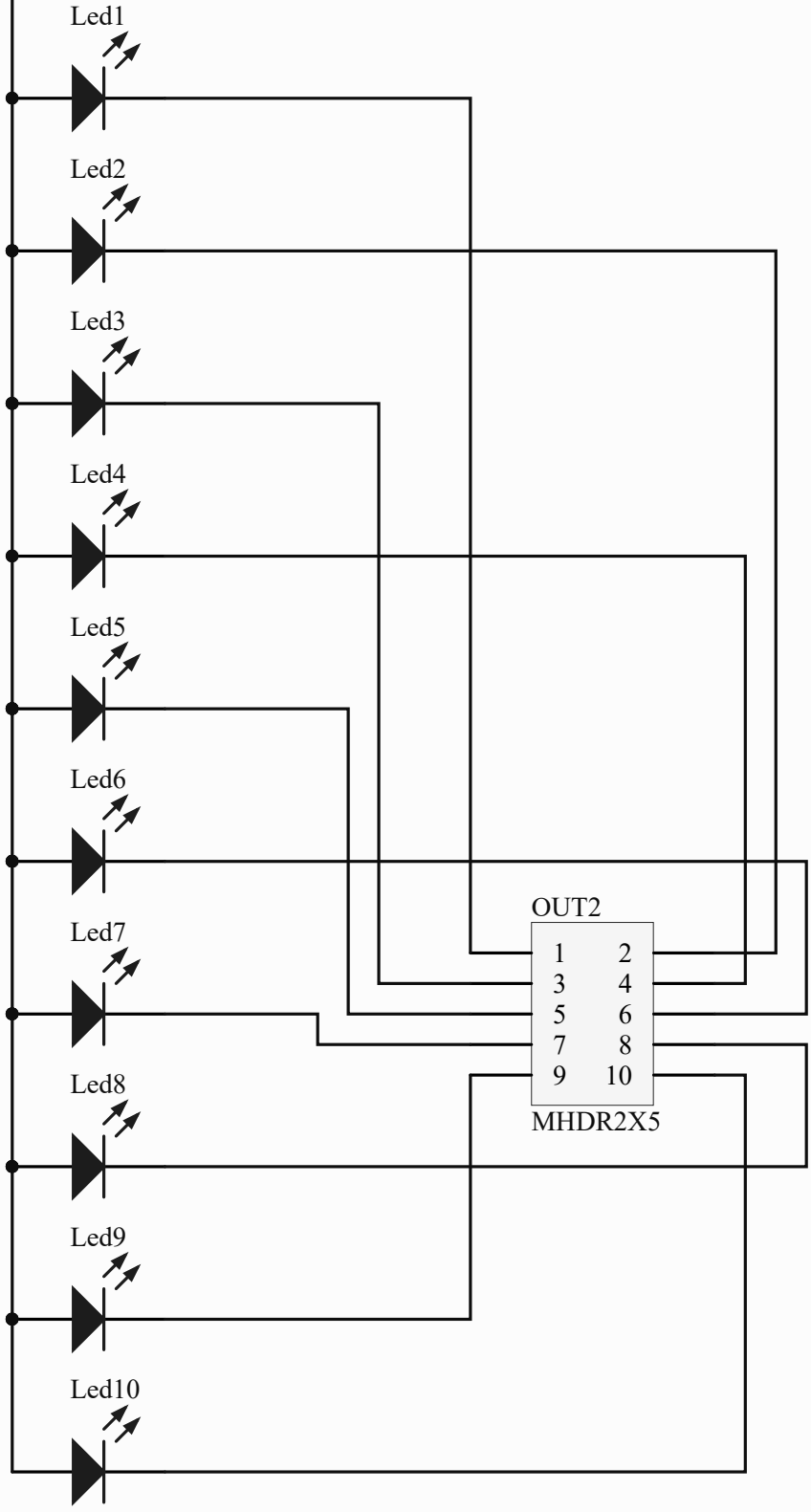
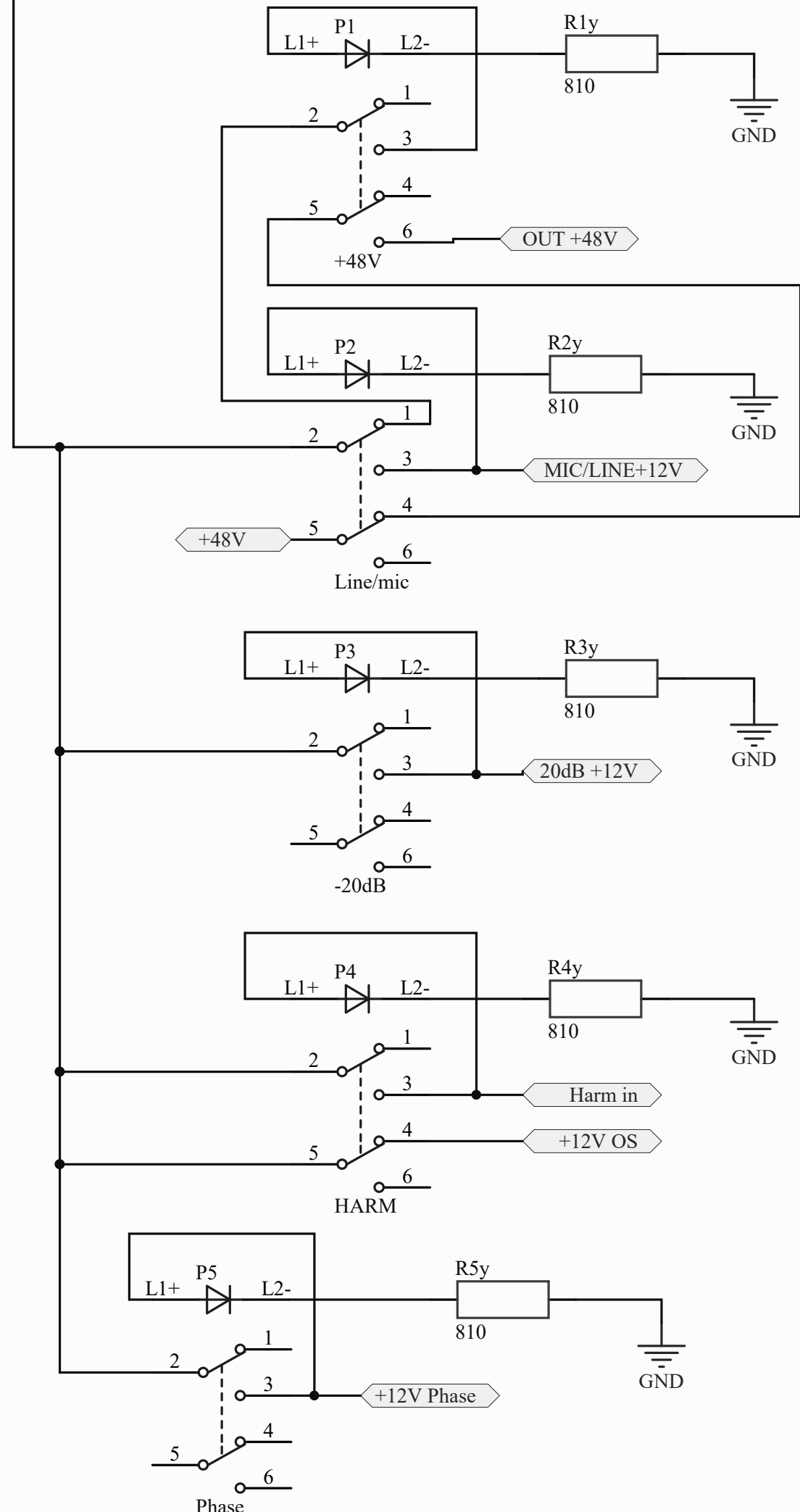


Title		
Size	Number	Revision
A2		
Date:	01.02.2024	Sheet of
File:	D:\электрон\gyp2 Ureplau2 MINI FOR MDR60 SchDoc	

VCC +12V



Title		
Size	Number	Revision
A4		
Date:	01.02.2024	Sheet of
File:	D:\Электродрайфф\Plata YPR1.SchDoc	Drawn By: